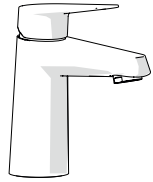


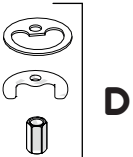


1

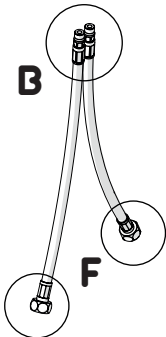
Not included / Non incluso / Non Inclus / Nie zawarty/ No incluido / Nao incluido



A



D

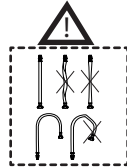
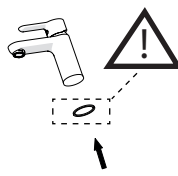


B

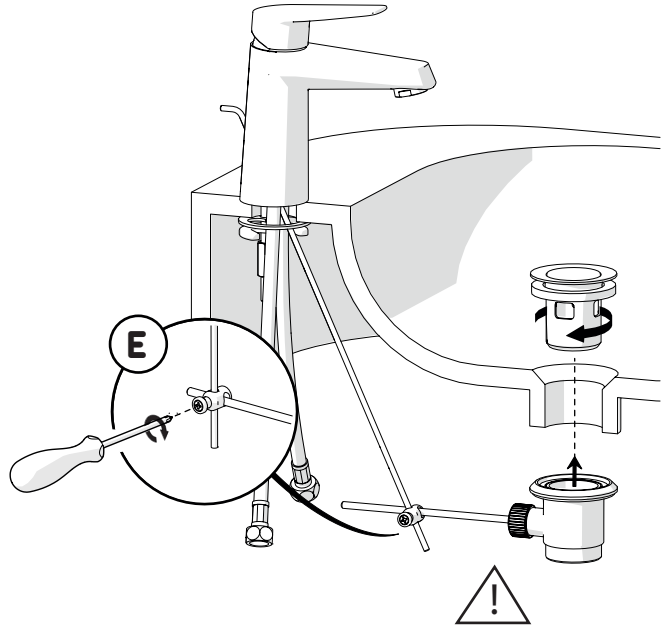
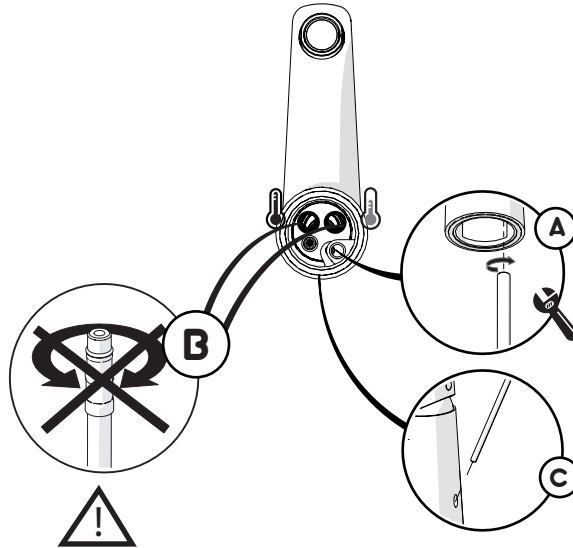
F

E

C

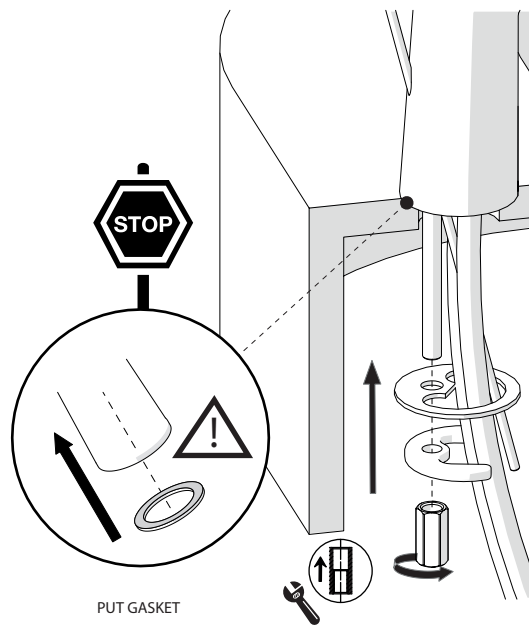


2



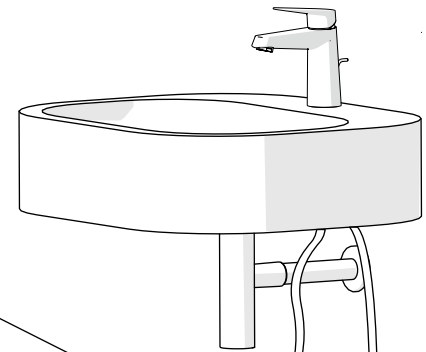
4

D

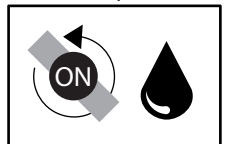
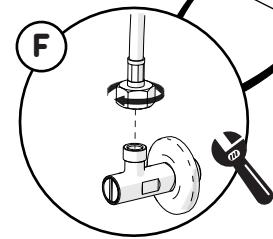


PUT GASKET

3



5

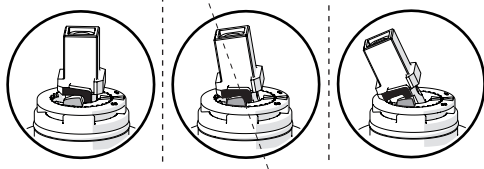
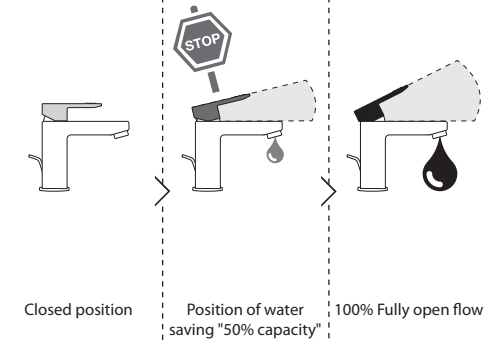




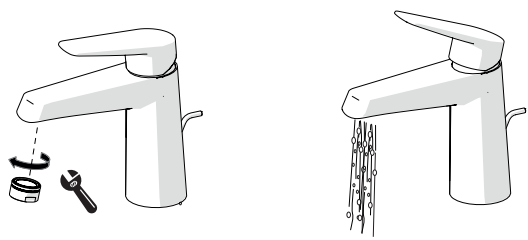
"Dinamic" flow rate restrictor "50%"

6

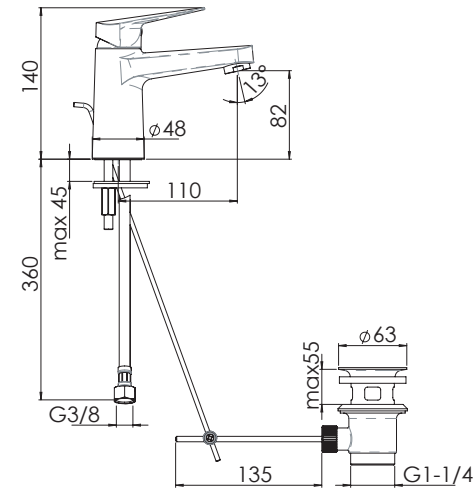
CLOSE ON 50% ON 100%



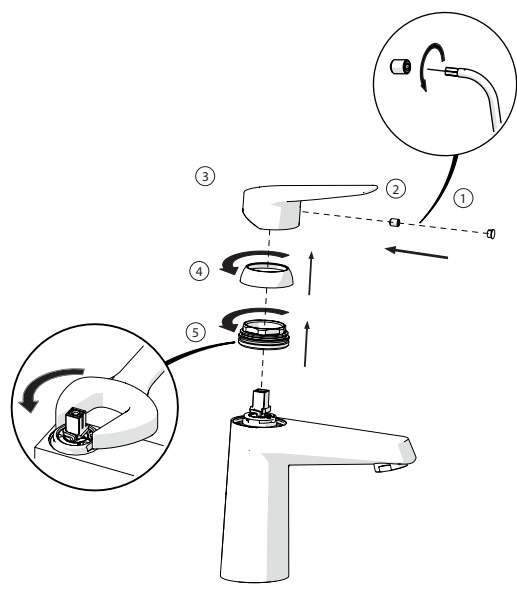
Closed position Position of water saving "50% capacity" 100% Fully open flow



8

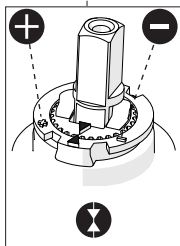
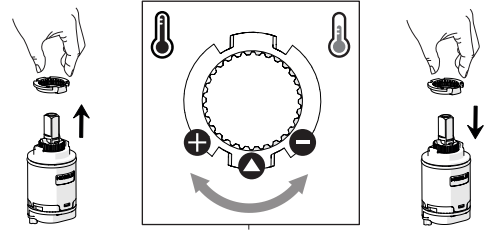


7

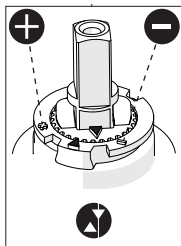


9

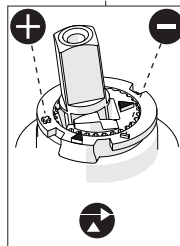
Extract the limiter and put it in correct position to limit temperature



No limitation of temperature



Partial limitation of temperature

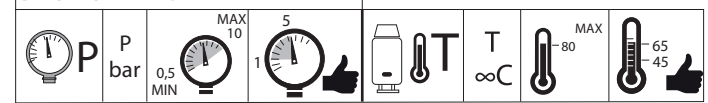


Maximum position Only cold water

ON



BEFORE STARTING



CLEANING

